

FHD - 2,5K - 4K
NVIDIA 3D Vision Replacement

 **schneider**
d i g i t a l
Professional 3D-Hardware

3D PluraView

The Reference of 3D-Stereo Monitors

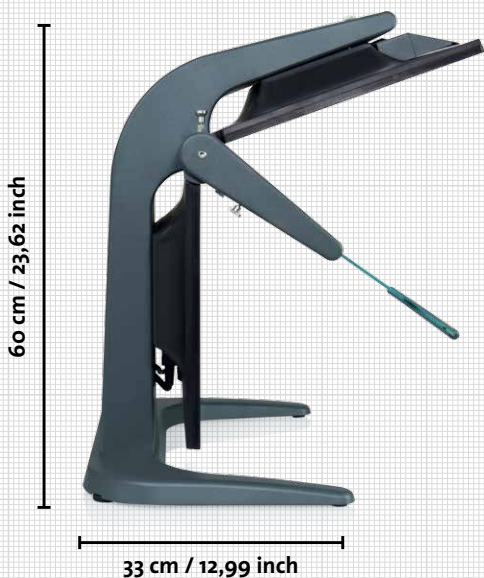


- Flicker free for professional continuous use
- Highest Brightness – Daylight suitable
- Two housing designs: 22" or 27"/28"
- Wide Visual Angle – Multi-User capability
- Certified for Photogrammetry and GIS
- Resolution FullHD, 2,5K or 4K

3D PluraView | Passive 3D-Stereo Monitor

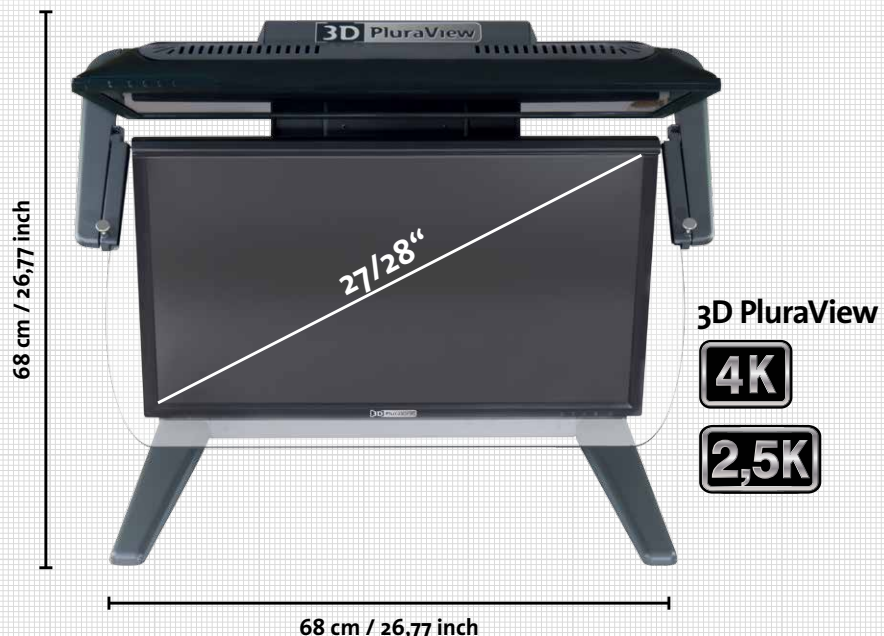
3D PLURAVIEW MONITOR SPECIFICATIONS

	22" FHD	24" FHD
Display	21,5" (546 mm) Screen Size 2x 1.920 x 1.080 Resolution (2.1 MP) 16,7 Million Colours (8-Bit) 250 cd/m ² Brightness	24" (610 mm) Screen Size 2x 1.920 x 1.080 Resolution (2.76 MP) 16,7 Billion Colours (10-Bit*) 350 cd/m ² Brightness
	LED BackLight-Technology 2 ms Response Time 170 °/160 ° Viewing Angle (H/V)	LED BackLight-Technology 1 ms Response Time 170 °/160 ° Viewing Angle (H/V) BlackTuner for lightening of the shades
	Contrast Ratio: 200.000: 1 ACR	Contrast Ratio: 1.000 : 1 static
Frame rate	60 Hz	144 Hz
3D-Characteristics	160 cd/m ² Brightness Frame rate glasses 1.920 x 1.080 per Eye Resolution	180 cd/m ² Brightness with glasses 1.920 x 1.080 per Eye Resolution
	Linear Polarization 45°/135° Beamsplitter: half transparency mirror	
3D-Formats	Quad Buffered OpenGL, Side-by-Side, Top-Bottom, Quad Buffered DirectX	
Operating Systems	Windows / Linux / macOS-Compatibility, Windows-10 Certification	
Power Consumption	Power Consumption 53W typical, max. 1W in Power Management Mode Annual Power Consumption 94 kWh / year	Power Consumption 46W typical; max. 1W in Power Management Mode Annual Power Consumption 135 kWh / year
	Power Management VESA DPMS™, Energy Star 6.0 Efficiency Class B	
Weight	23 kg, set weight with stand	26kg, set weight with stand
Measurements	54 x 59 x 46 cm (WxHxD)	61 x 60 x 47 cm (WxHxD)
Interfaces	2x DisplayPort 1.1 cable 2,5m (integrated)	2x DisplayPort 1.2 cable 3m (integrated) 2x integrated USB ports
	1 x main plug AC 100 - 240 V, 50 / 60 Hz	1 x main plug AC 100 - 240 V, 50 / 60 Hz
Audio	Integrated Speaker 2 x 2 W	Integrated Speaker 2 x 2 W
Design	Diamond Dark Alu/Steel Construction Integrated Electronics Adjustable Stand Made in Germany	
Technical Notes	2x DisplayPort 1.1 output to the graphics card is required, optionally available as dual DVI version	2x DisplayPort 1.2 output on the graphics card is required for 60Hz, with DP 1.1 is 30Hz operation possible. FreeSync support with AMD
Graphics Card Requirements	Any QuadBuffer capable NVIDIA Quadro and AMD FirePRO / RadeonPRO cards, which have at least 2 x DisplayPort 1.1 monitor outputs. The use of an additional, It is recommended to use the side view monitor for the 3D PluraView, which is adapted to the polarization of the stereo system.	
Warranty	1 Year Warranty without exclusion, with carepack extended up to 5 Years	



3D PLURAVIEW MONITOR SPECIFICATIONS

	27" 2,5K	28" 4K/UHD
Display	27" (686 mm) Screen Size 2x 2.560 x 1.440 Resolution (3,7 MP) 16,7 Million Colours (8-Bit) 350 cd/m ² Brightness	28" (711 mm) Screen Size 2x 3.840 x 2.160 Resolution (8,3 MP) 1,073 Billion Colours (10-Bit*) 300 cd/m ² Brightness
	LED BackLight-Technology 1 ms Response Time 170 °/160 ° Viewing Angle (H/V) BlackTuner for lightening of the shades	
	Contrast Ratio: 80 000 000 : 1 ACR	Contrast Ratio: 12 000 000 : 1 ACR
Frame rate	60 Hz	144 Hz
3D-Characteristics	210 cd/m ² Brightness with glasses 2.560 x 1.440 per Eye Resolution	180 cd/m ² Brightness with glasses 3.840 x 2.160 per Eye Resolution
	Linear Polarization 45°/135° Beamsplitter: half transparency mirror	
3D-Formats	Quad Buffered OpenGL, Side-by-Side, Top-Bottom, Quad Buffered DirectX	
Operating Systems	Windows / Linux / macOS-Compatibility, Windows-10 Certification	
Power Consumption	Power Consumption 75W typical; max. 1W in Power Management Mode Annual Power Consumption 131 kWh / year	Power Consumption 98W typical; max. 1W in Power Management Mode Annual Power Consumption 173 kWh / year
	Power Management VESA DPMS™, Energy Star 6.0 Efficiency Class B	
Weight	25 kg, set weight with stand	26kg, set weight with stand
Measurements	80 x 68 x 54 cm (WxHxD)	80 x 68 x 54 cm (WxHxD)
Interfaces	2x DisplayPort 1.2 cable 3m 2x USB 2.0	2x DisplayPort 1.2 cable 3m 2x USB 3.0
	1 x main plug AC 100 - 240 V, 50 / 60 Hz with power switch and fuse 3.15 A	
Audio	Integrated Speaker 2 x 2,5 W	Integrated Speaker 2 x 3 W
Design	Diamond Dark Aluminum Construction Integrated Electronics Adjustable Stand Made in Germany	
Technical Notes	2x DisplayPort 1.1 output to the graphics card is required AMD FreeSync support	2x DisplayPort 1.2 output on the graphics card is required for 60Hz, with DP 1.1 is 30Hz operation possible. AMD FreeSync support
Graphics Card Requirements	Any QuadBuffer capable NVIDIA Quadro and AMD FirePRO / RadeonPRO cards that have at least 2 x DisplayPort 1.1 monitor outputs. It is recommended to use an additional side view monitor for the 3D PluraView, which is adapted to the polarization of the stereo system. * The feature 10Bit color depth with QuadBuffer 3D stereo only works with AMD graphics cards.	
Warranty	1 Year Warranty without exclusion, with carepack extended up to 5 Years	





High resolution
FullHD, 2.5K or 4K
per eye



Flicker free
for professional
continuous use



Daylight suitable
through two bright and
high-contrast displays



Wide Visual Angle
for comfortable work
even in a team



Compact design
Different housing for optimal
space requirements



Noble design
Highest quality
Made in Germany



Unterstützte Grafikkarten
alle NVIDIA Quadro &
alle AMD FirePRO/RadeonPRO



Plug & Play
Works without driver with
Microsoft / LINUX / MAC-OS



Supported graphics cards
all NVIDIA Quadro &
all AMD FirePRO/RadeonPRO



SCHNEIDER DIGITAL
Josef J. Schneider e.K.
Maxlrainer Straße 10
D-83714 Miesbach

Tel.: +49 (8025) 9930-0
Fax: +49 (8025) 9930-29
www.schneider-digital.com
info@schneider-digital.com

Partner von:



3D PluraView

www.3d-pluraview.com